

LEDLITE™ Installation Sheet

LTSPSF70

Surface Mounted Frame for LTSP70 Panel Lights

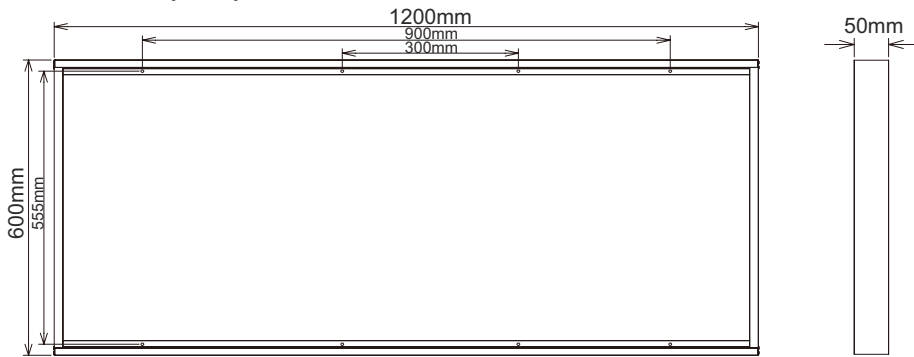
Read these instructions before commencing installation and retain them for future reference.



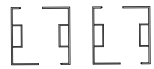
Important information

It is recommended that luminaires are installed by a qualified electrician ensuring the installation complies to current IEE wiring regulations & local building control. These products are designed for use with LTSP70 Slim Panel Lights and we cannot guarantee it will be suitable for use with other makes. LEDLite will not accept responsibility for any claims arising from a poor installation. Always switch off mains supply before servicing. This frame is suitable for indoor use only.

Dimensions (mm):



Package contains:



Metal frame
(4 parts)



4 x Connectors



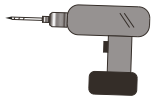
6 x Screws

Installation Procedure:

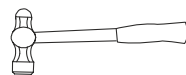
Tools required:



Pencil



Electric drill

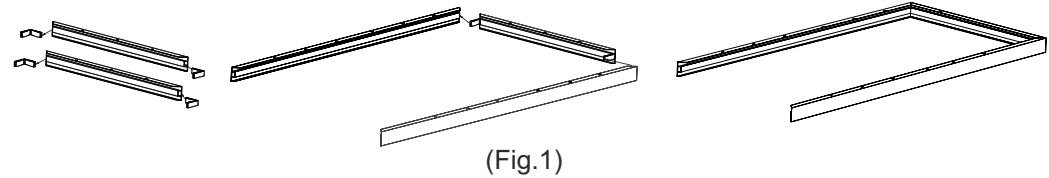


Hammer



Screwdriver

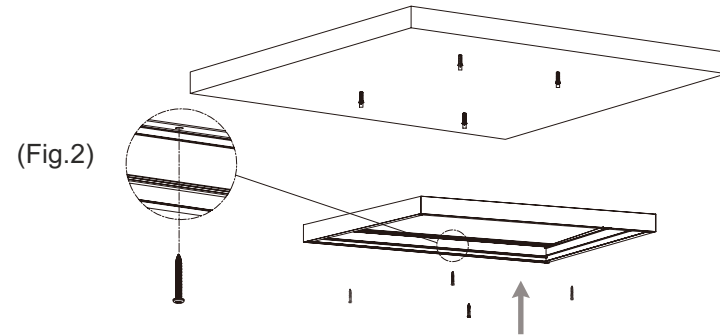
Step 1: Take out the connectors and the aluminium frame from the package and assemble them one by one. Finish assembling a U shape frame. (Fig.1)



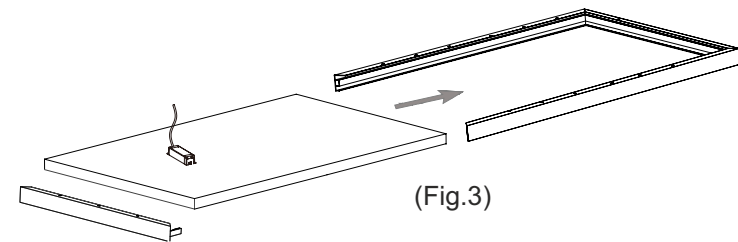
Step 2: Identify the location and direction of any hidden supply cables or service pipes before drilling fixing holes.

Step 3: Using the U shape frame as a guide, mark the position of the fixing holes onto the wall/ceiling surface adjacent to the supply wiring.

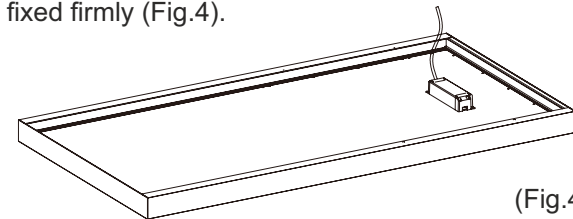
Step 4: Drill holes at the positions marked. Secure the frame to the wall/ceiling using suitable fixings. (Fig. 2)



Step 5: Slide the LTSP70 Panel Light into the frame (Fig. 3)



Step 6: Add the side panel to cover the end and make sure the panel light and the frame are fixed firmly (Fig.4).



Installed frame & panel